

Welcome

Thank you for buying the Roof Mount LCD Monitor with DVD player. Please read this manual carefully before using the Roof Mount LCD Monitor with DVD player in order to get the most out of all the features and functions. Keep this manual in a safe place, as it can be a valuable tool in helping you to understand all the features and functions.

Contents

Safety information.....	1
DVD player features	3
Setting up your DVD player	9
Using your DVD player	14
Basic Operation	16
System setup	23
Troubleshooting.....	27
Specifications.....	28
Maintaining	29

Safety information

- Do not operate the unit in any way other than described within this manual. Failure to follow the instructions within the manual will invalidate your warranty.
- **SAFETY FIRST!** Do not install the display where it may (i) obstruct the driver's vision, (ii) impair the performance of any of the vehicle's operating systems or safety features, including airbags, or (iii) impair the driver's ability to safely operate the vehicle.
- When using the system, make sure you are firmly secured by your seat belt to ensure you do not accidentally hit your head on the screen during sudden braking or other incidents. If you are ever in an accident, injuries can be more severe if the seat belt is not properly buckled.
- Do not attempt to install or service your display by yourself. Installation

or servicing of the display by persons without training and experience in electronic equipment and automotive accessories may be dangerous and could expose you to the risk of electric shock or other hazards.

- Be careful not to drain the car battery while using the unit with the car engine stopped. To avoid draining the battery, it is suggested that the vehicle engine always is running while using the unit.
- Do not disassemble or alter the unit in any way. Failure to do so can cause damage to the unit and invalid the warranty.
- Never clean the surface of the screen with chemical solvent or corrosive detergent, which may cause permanent damage to the TFT LCD screen.
- Avoid installing the unit wherever is under direct sunlight or near hot air vent. Please note that the normal working temperature of the unit is between -5°C to $+50^{\circ}\text{C}$. If the internal temperature of the vehicle is extremely high, a short cooling down period is necessary before operating the unit.
- If the temperature inside the car is very low and the monitor is used soon after switching on the heater, moisture may form on the panel of the unit. Turn off the unit immediately! Failure to do so may cause the internal components to short. Allow the unit to rest for about one hour to allow the condensation to disappear before continue operation.
- In extremely cold temperatures, the movement of the picture may be slow and the picture may be dark. It is not a malfunction. The unit will work normally once it reaches its operating temperature.
- Do not drop or hit the LCD panel with a hard object, as it may cause permanent damage to the LCD panel. Should LCD panel break, avoid touching glass and fluid. If do, please clean it with plenty of water and ask for medical attention immediately.
- Due to different car specifications, please kindly ensure that the display monitor is properly located and not obstructing the air-conditioning vent.
- Avoid inserting any foreign objects into the slot of the disc Player. Failure to observe this may cause malfunction due to the precise mechanism of this unit.
- Protect your disc. When you leave the car, be sure to eject the disc from this unit and store it separately away from direct sun light.
- Heat and humidity may damage the disc and you may not be able to play it again.
- Use the supplied screws to fix the monitor Metal Mounting Plate.

DVD player features

This player is a Roof Mount 9.2" TFT-LCD Color Display with DVD player that can be used as a stand-alone display, or can be integrated into a mobile multimedia system. This player has the following features:

- 9.2" TFT-LCD color monitor (16:9)
- Roof Mounting Application
- Pixel(dots):800RGB(W)x480(H)
- Wide Viewing angle(up/down/left/right):45/55/65/65
- NTSC and PAL Compatible
- Adjustable Color/Contrast/Brightness/Tint
- Manual Viewing Angle Adjustment
Vertical Adjustable: up/down>150°
- White LED Dome Light
- Automotive Startup Protection
- Built-in IR Transmitter for IR Wireless Headphone
- IR Remote Control
- On Screen Display
- 2xAV Input
- 1xAV Output
- Slot-in DVD mechanism
- USB1.1 Host Mode
- Memory card port for SD/ MMC/MS
- Capability to read: DVD Format
/DVD±R/DVD±RW/CD-DA/CD-RW/MP3/VCD/SVCD
Note: Multi-session CDs and 320kbps WMA files can not be played on this player.
- FM Transmitter for listening the audio from your car audio system via FM radio receiver (setting frequency: 88.1, 88.3, 88.5, 88.7, 88.9, 89.1, 89.3, 89.5, 89.7 MHz and 89.9 MHz)

DVD VIDEO FEATURES

This unit provides the following functions in addition to high image quality and sound quality of DVD video:

Multi-sound Function

DVD audio can store up to 8 languages for one film. This allows for the selection of language of ones preference.

Multi-angle Function

A DVD video that is filmed from multiple angle which allows you choosing to view from different perspectives.

Subtitle Function

A DVD video can record subtitles for up to 32 languages to choose from.

DISC PLAYBACK

This DVD player can play the following formats.



DVDs **12cm**



Vedio CDs **12cm**



Audio CDS **12cm**



MP3 CDs **12cm**

About CD Extra discs

A CD Extra disc is a disc in which a total of two sessions have been recorded. The first session is Audio session and the second session is the Data session. Your personally-created CDs with more than 2 data sessions recorded cannot be played on this DVD Video Player.

MP3 Playback

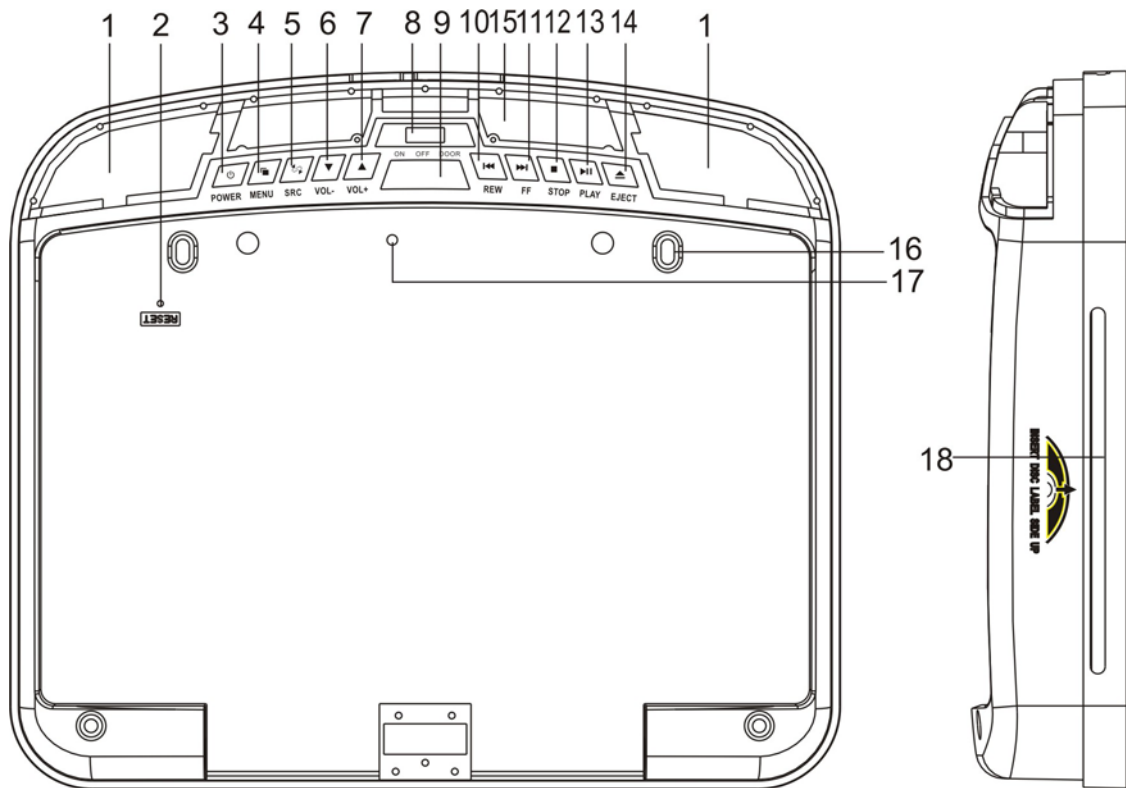
This unit can play back CD-R/CD-RW discs on which MP3 music data have been recorded.

Region Numbers

The DVD Video System assigns a region number to DVD video player and DVD disk by Sales area. The DVD video region number is marked on the disk Jacket as shown below.

Ex.  

DISPLAY



Item	Name	Function or Control
1	Dome Light	Provides an interior light for the vehicle.
2	Reset button	Press with a pencil or other narrow-tipped tool to rest the player.
3	Power button	Press to turn on or turn off the player
4	Menu button	Press to open the TFT menu. Press again to select a menu item.
5	SRC input source button	Press to select the video input mode (DVD-IN /USB/ SD/ MMC/ MS, AV IN1, AV IN2,). (When the units sets in DVD mode, press it can change USB/SD/MMC/MS mode.)
6	▼ (VOL-) button	Press to reduce a value in the menu (such as decreasing the volume).
7	▲ (VOL+) button	Press to increase a value in the menu (such as increasing the volume).
8	Dome Light switch	Move to the ON/OFF position, then press it to turn the dome light on or off.

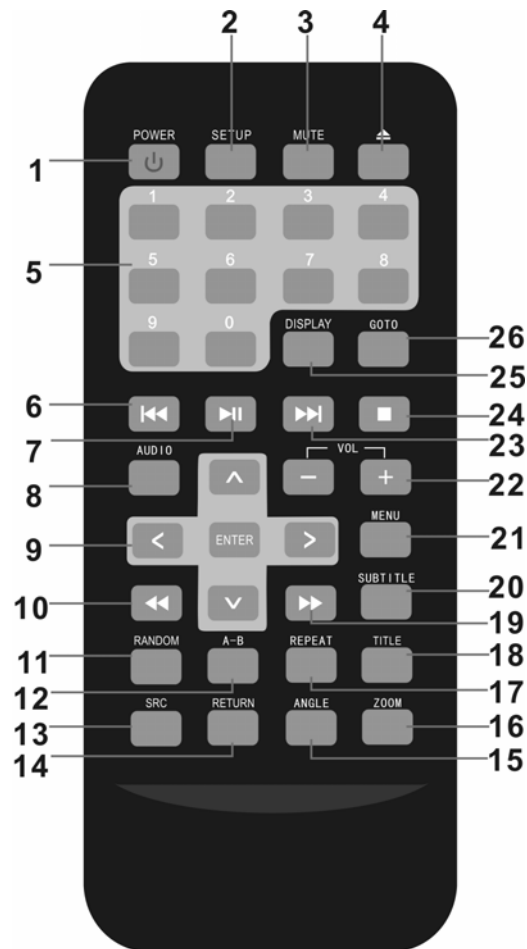
Item	Name	Function or Control
9	Panel open button	Press to open the LCD panel.
10	⏮ (SKIP-) button	Press to skip the previous chapter on DVD or track on CD; Press and hold it to fast reverse playback at 2x, 4x, 8x, 16x and 32x speeds.
11	⏭ (SKIP+) button	Press to skip the next chapter on DVD or track on CD; Press and hold it to fast forward playback at 2x, 4x, 8x, 16x and 32x speeds
12	Stop button	Press to stop playback, press [PLAY] or [ENTER] button to start playing at the last position; Press [STOP] button twice to fully stop playback, Press [PLAY] or [ENTER] button to start playing at the beginning of DVD.
13	▶ Play or Pause	Press to play or pause a disc.
14	Eject button	Press to eject the disc.
15	IR window	Receives IR signals from the remote control and sends IR signals to IR wireless headphone.
16	Fixing holes	Connect the player to the mounting plate with screws inserted into these holes.
17	LCD screen shut off switch	Press to turn off the LCD screen
18	Disc slot	Insert the disc into this slot.






This function can be operational only when the green wire of the dome light is connected to the door sensor.

The dome light will switch off after the car door is closed.

REMOTE CONTROL



Item	Name	Function or control
1	Power	Press to turn the player on or off.
2	Setup	Press to access the setup menu to modify the DVD player settings.
3	Mute	Press to turn the sound on or off.
4	 Eject	Press to eject the disc.
5	0-9	Press to enter numbers directly, such as for settings or track numbers.
6	 Previous	Press to go to the previous chapter on DVD or track on CD.
7	 Play or Pause	Press to play or pause the CD or DVD.
8	Audio	DVD: press to change the audio language during DVD playback. VCD/CD: press to change the audio channel (Left, Right and stereo) during VCD and CD playback.

Item	Name	Function or control
9	Arrow and ENTER buttons	Press to navigate in a menu and change setting values.
10	◀◀ FR	Press to fast reverse playback at 2x, 4x, 8x, 16x and 32x speeds.
11	Random	Press to play chapters or tracks in random order.
12	A-B	Press to repeat playback from point A to point B.
13	SRC	Press to select the video input mode (DVD-IN /USB/ SD/ MMC/ MS, AV IN1, AV IN2,). (When the units sets in DVD mode, press it can change USB/SD/MMC/MS mode.)
14	Return	Press to return the main menu, press again to return the last position of playback.
15	Angle	Press to select a different filming angle. This feature only works if the DVD is recorded with multiple angles.
16	Zoom	Press to set the zoom for movie viewing.
17	Repeat	Press to repeats the track or the entire disc.
18	Title	Press to view the DVD disc's title menu.
19	▶▶ (FF)	Press to fast forward playback at 2x, 4x, 8x, 16x and 32x speeds.
20	Subtitle	Press to select and turn on subtitles during playback.
21	Menu	Press to view the DVD disc's main menu.
22	VOL - / VOL+	Press to decrease / increase the volume.
23	▶▶ Next	Press to go to the next chapter on DVD or track on CD.
24	■ Stop	Press to stop playback, press [PLAY] or [ENTER] button to start playing at the last position; Press [STOP] button twice to fully stop playback, Press [PLAY] or [ENTER] button to start playing at the beginning of DVD.
25	Display	Press to display the playback information (such as title, chapter, track and time).
26	Goto	Press to start playback at a selected chapter, track or time.

Setting up your DVD player

PACKAGE CONTENTS

Name of parts	Quantity
Player	1
IR remote control with battery	1
AV cable	1
ST4.2x16 screw	6
CM 4x8 screw	4
Metal mounting plate	1
User's manual	1
Rubber gasket	1

Caution

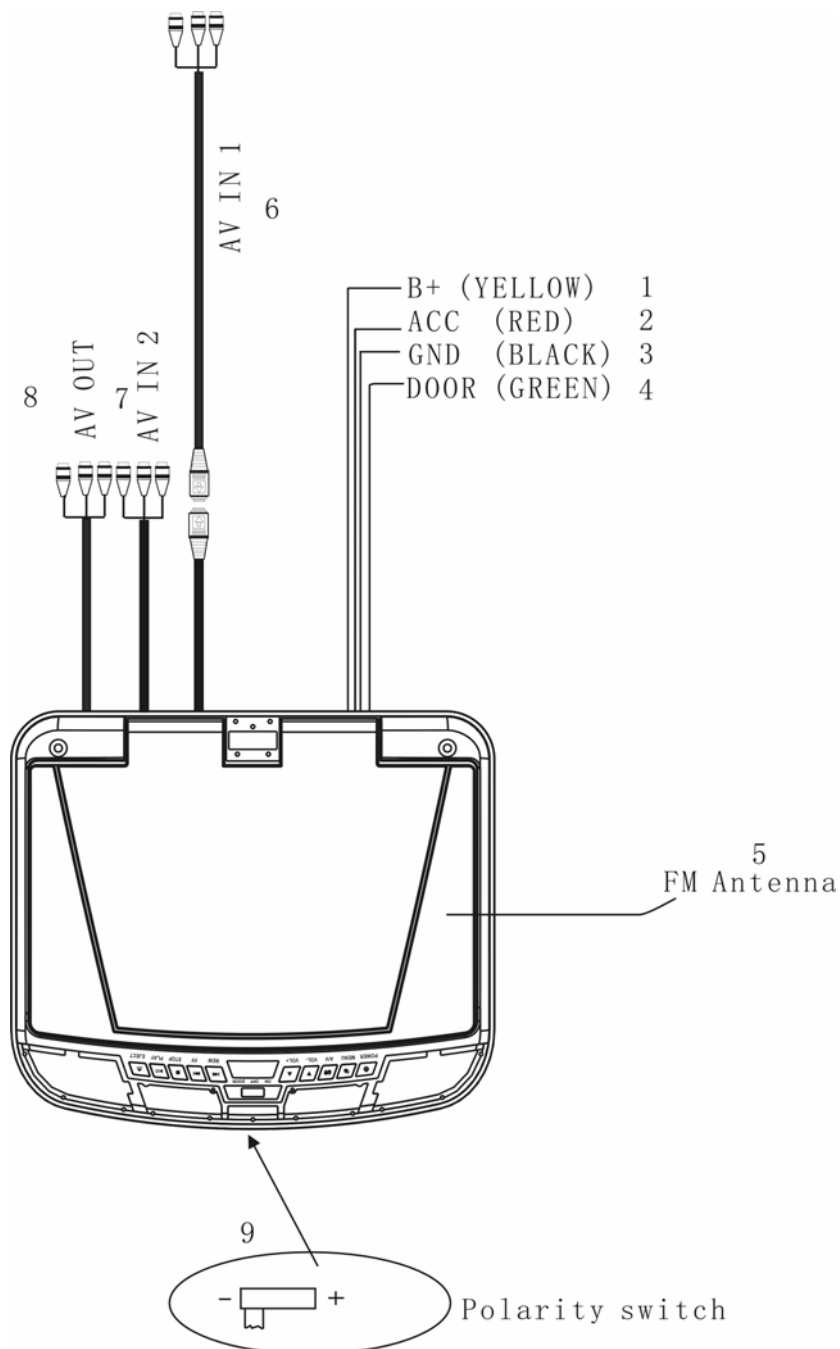


Use only the contents of this package to install and use the DVD player. Use of any accessories not provided with this player may result in damage to the player.

Installing your DVD player

Note: Do not attempt to install or service your player by yourself. Installation or servicing of the player by persons without training and experience in electronic equipment and automotive accessories may be dangerous and could expose you to the risk of electric shock or other hazards.

Wiring and connections



1. Battery + lead (Yellow)

To connect the positive terminal of the car battery.

2. ACC Power Lead (Red)

To ACC power lead powered when engine key position is ACC.

3. Ground Lead (Black)

Connect the lead to a good chassis ground on the car. Make sure the connection is made to bare metal and is securely fastened using the sheet metal screw provided.

4. Door wire

This wire connects the door sensor of car. Then the dome light can be switched by opening or closing door.

5. FM Antenna

This antenna send the signal to FM receiver.

6. AUX A/V, Input 1

7. AUX A/V, Input 2

8. AUX A/V, Output

An auxiliary A/V output is provided to drive an external monitor. This signal mirrors what's being shown on this player. The volume function does not affect the Auxiliary A/V Output.

9. Polarity switch

Please slide to “-” at the left position if your vehicle’s power supply system is negative; Please slide to “+” at the right position if your vehicle’s power supply system is positive.

Notes: 1. Please slide it to a side fully.

2. Do not slide this switch after Place it at a position. Otherwise, it'll be damage.

To install the player

1. Make sure that what kind of power system your car is. Please slide to “-” at the left position if your Vehicle’s power supply system is negative; Please slide to “+” at the right position if your vehicle’s power supply system is positive.

Notes: 1. Please slide it to a side fully.

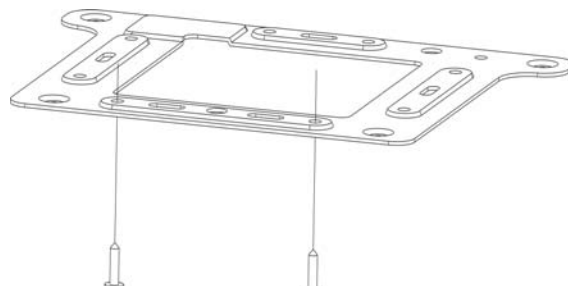
2. Do not slide this switch after Place it at a position. Otherwise, it’ll be damaged.

2. To prevent short circuits, remove the key from the ignition and disconnect the terminal of battery.

3. Disconnect the original dome light.

4. Attach the metal mounting plate to the roof Using the ST4.2*16 screws.

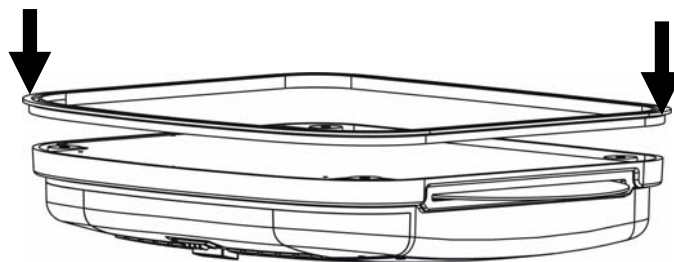
Note: Do not to cover the original dome light opening.



Six Screw ST4.2*16

5. Pull out the original dome light Power wire and Signal/power Cable through the original dome light opening.

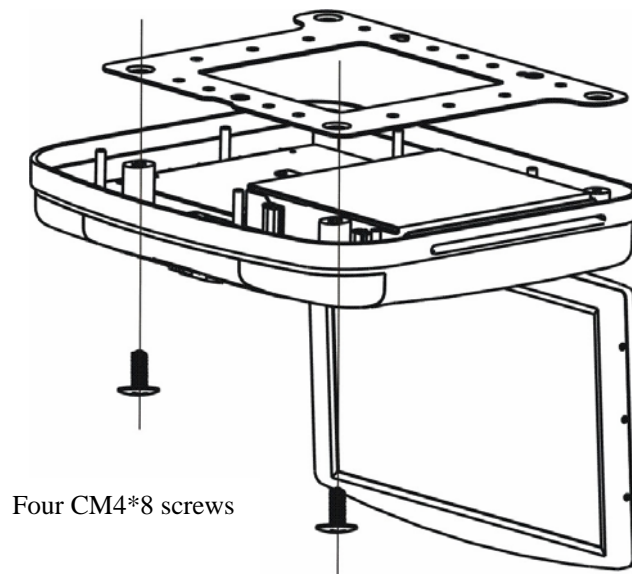
6. Place the rubber on the player



7. Connect input and output cables.

8. Connect the wire harness in the following order: ground wire, battery wire, ACC wire and door wire.

9. Attach the DVD player to the metal mounting plate using the CM 4x8 screws.



10. Reconnect the terminal of the battery.

Notes:

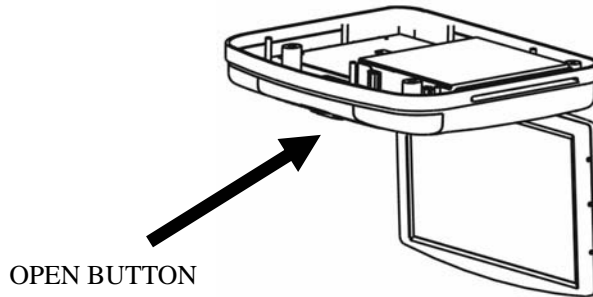
- Do remember to connect the red wire to the ACC of the ignition switch. Or the battery charge might be drained off prematurely.
- If the fuse is opened, first make sure that the cables have not caused a short circuit, and then replace the old fuse with a new one of the same ratings.
- Do not have unconnected cables or terminals touch the metal on the car or any other conducting material.
- To prevent short circuits, do not remove the caps from unused terminals or from the ends of the unconnected cables.
- After the display unit is installed, check and make sure the brake lights, blinkers, wiper, etc. on the vehicle are working properly.
- Insulate unconnected wires with vinyl tape or other similar material.

Using your DVD player

Adjusting the DVD player

To open the DVD player

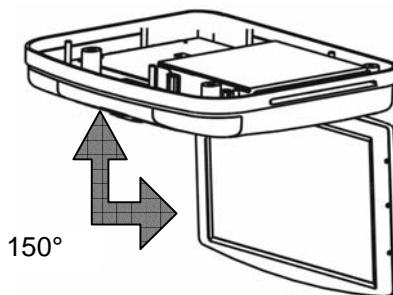
1. Press Open Button to unlock the LCD panel.



2. Swing the DVD player downward to the desired angle.

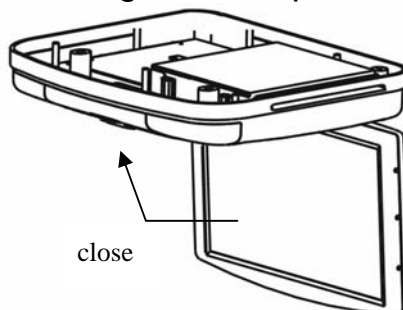


The LCD display opens to a maximum angle of 150° degrees. Do not attempt to open it further.



To close the DVD player

- λ Swing the LCD panel upward until you hear the lock click.



CAUTION



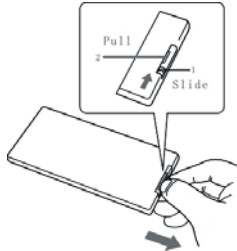
Make sure that cords and other items do not get caught in the panel when you close it.

For your safety, be sure to close the LCD panel when not use it.

Using remote control

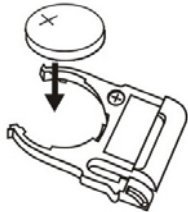
1. Pull out the battery holder.

Follow the arrow 1 slide it to the right toward the battery while at the same time pull the battery holder away from the remote control.



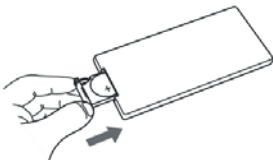
2. Place the battery.

Place the new lithium battery with the (+) side up. (The type of battery: Crd2025)



3. Push the holder back.

Using the finger to push in the holder back until the locking sound is heard.



4. Aim the IR Remote Control directly at the DVD player, then press any button.

Note

- Use the remote control only inside the vehicle
- Use the IR Remote Control no further than five feet (3 meter) from the sensor.
- Direct sunlight or very bright light reduces sensitivity to the remote signal commands. Be sure the player is not located in direct sunlight.
- Any obstruction between the remote sensor and remote control may disrupt reception.

Replacing the battery


If the remote control does not function, or if the operating range becomes reduced, replace the old battery with new one.

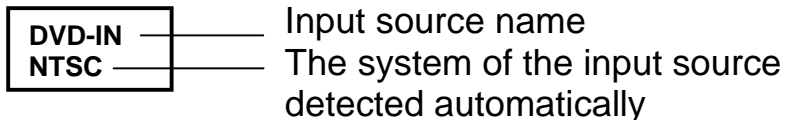
Note

- Dispose used battery properly.
- Do not misuse battery by shorting the positive + and - negative terminal or put into fire which may cause the battery to explode.
- Battery and battery holder can be a choking hazard. Keep the remote control away from young children.

Basic operation

Turning on the player

Press the [] button on the remote control or on the front panel to turn on the player, and the input source and format are displayed on the screen:



Notes: 1. The default is DVD-IN.

2. If the message "NO DISC" is displayed on the screen, insert Disc Media or press **SRC** button to change input source.


Selecting the input source

1. During Power ON, press **SRC** button to switch from one mode to another.
2. The operating modes changes in the following order.

DVD-IN > AV 1> AV2> DVD-IN

Note: DVD Disc cannot be inserted if product switched to AV mode.

Turning off the player

Press the  button again, the player will be turned off.

1. If there is a disc media in the player, it will continue playback from last position the next time you turn the player on.
2. DVD Disc cannot be ejected if player is switched off.

Playing a disc

1. If the input source isn't already set to **DVD-IN**, press **SRC** button to change the input source to **DVD-IN**
2. Insert a disc to DVD into the disc slot on the right of the player. After several seconds, the screen displays the message "loading".
3. Press **Play/Pause** button or **ENTER** button.
To stop playback, press **STOP** button.
To play the previous track or chapter, press **Previous** button.
To play the next track or chapter, press **Next** button.
To pause or resume playback, press **Play/Pause** button.
4. Press **Eject** button to eject the disc from the player.
5. Press **Power** button to turn off the player.

Muting the sound

1. Press **MUTE** button to mute the sound during disc playback.
2. Press **MUTE** button again to enable sound.

Playing DVDs

Accessing the DVD root menu

Press **MENU** button during the playback to display the menu.

A DVD is divided into sections called titles and chapters. When you play a DVD, a root menu of the disc appears on the screen of your Monitor. The contents of the menu vary from disc to disc. Press **MENU** during playback to display the menu again. Some DVDs only allow you to select disc playback options using the DVD root menu.

Displaying playback information

During the playback, press **DISPLAY** button continuously to show the followings:

```
TITLE ELAPSED
TT 01/04  CH/25      0:02:10
```

```
TITLE REMAIN
TT 01/04  CH/25      0:03:10
```

CHAPTER ELAPSED

TT 01/04 CH/25 0:03:40

CHAPTER REMAIN

TT 01/04 CH/25 0:03:40

Changing the audio language during Playback (Multi Audio)

1. Press **AUDIO** button to change audio track during DVD playback. The current audio language number, the total number of available audio channels (languages) and current language are displayed.
2. If there are multiple languages are available, press **AUDIO** button again to cycle through the available languages. The audio display disappears automatically if **AUDIO** button is not pressed again within 3 seconds.

Note

Some DVDs only allow access to this function through the DVD menu.

Turning the subtitles and changing the subtitle Language on:

1. Press **SUBTITLE** button to change the subtitle language you want during DVD Playback. The current language number, the total number of the subtitle languages and current language are displayed.
2. If multiple languages are available, press **SUBTITLE** button again to cycle through the available languages.
3. To turn subtitles off, Press **SUBTITLE** button until “subtitle off” appears on the screen. The subtitle display disappears automatically if **SUBTITLE** button is not pressed again within 3 seconds.

Note

Some DVDs only allow access to this function through the DVD menu.

Using Repeat Playback

To repeat a chapter, a title, or both:

During playback, press **REPEAT** repeatedly to cycle through the available settings:

- Chapter---Repeats the current chapter.
- Title---Repeats the current title.
- All---Repeats all chapters and titles.
- Off---Resumes normal playback

To repeat a custom segment:


1. During playback, press **A-B** to set the starting point "A".
2. Press **A-B** again to set the ending point "B". The player plays the segment between point A and point B repeatedly.
3. To cancel the repeat playback and resume normal playback, press **A-B** again.

Changing Viewing Angle during Playback (Multi-Angle)

To change viewing angle:

1. Press **ANGLE** button to cycle through available viewing Angles during DVD playback. The current angle number and the total number of angles available appear on the screen.

2. Press **ANGLE** button again to select a different angle, then press it again to exit and return to the normal viewing angle. The Angle display disappears automatically if **ANGLE** button is not pressed again within 3 seconds.

Note: Viewing angles are available for a DVD if the back of the DVD jacket contains a multiple angles icon. 

Using zoom

During disc playback, press **ZOOM** to switch through the available zoom settings. (2x,3x,4x,1/2x,1/3x,1/4x and normal)

While viewing JPG/JPEG images on a disc, press ZOOM, then press FF or FR to switch the zoom settings.

Playing audio CDs

To display playing time and the current track:

During CD playback, press **DISPLAY** button to display, the disc type, current time, current track number and total number of the tracks are displayed on the screen.

To repeat a track or the entire CD:

During playback, press **REPEAT** repeatedly to cycle through the available settings:

- Track---Repeats the current track.
- All---Repeats the entire CD.
- Off--- Resume normal playback.

To repeat a custom segment:

1. During playback, press **A-B** to set the starting point "A".
2. Press **A-B** again to set the ending point "B". The player plays the segment between point A and point B repeatedly.
2. To cancel the repeat playback and resume normal playback, press **A-B** again.

Playing MP3 CDs

MP3 is a format for storing digital audio. An audio track is compressed into the MP3 format with little loss of audio quality, while taking up much less disc space. This player can play CD-R/RW disc that contain music MP3 files.

When a MP3 disc is inserted into the player, the menu screen appears automatically. You can use the menu screen to select the folders and tracks you want, or the player plays the tracks in the order they were burned onto the disc.



To select the folders and tracks you want:

1. Press DISPLAY on the remote control. The list of files and folders opens.



2. Press the up or down button on the remote control to select a folder from the list, then press ENTER. The screen displays the files in the folder you selected.



3. Press the up or down button on the remote control to select a file, then press ENTER to play the file.
4. Press the ►► to move to the next file.
Or press the ◀◀ to move to the previous file.
5. Press the < button to go to the previous folder or to page up, or press the > button to page down.

To repeat a file or folder of an MP3 disc:

During MP3 playback, press the **REPEAT** button to cycle through the available settings:

- Repeat single---Repeats the current file.
- Repeat All---Repeats the contents of current folder.
- Repeat off---Turns off repeat and resumes normal playback.

Note



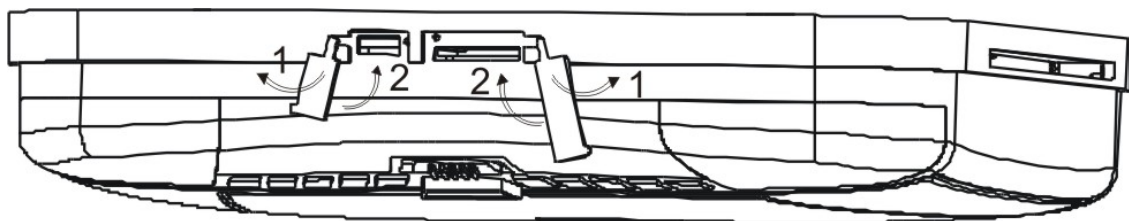
This icon in front of an item indicates it's a folder.



This icon in front of an item indicates it's an MP3 file.

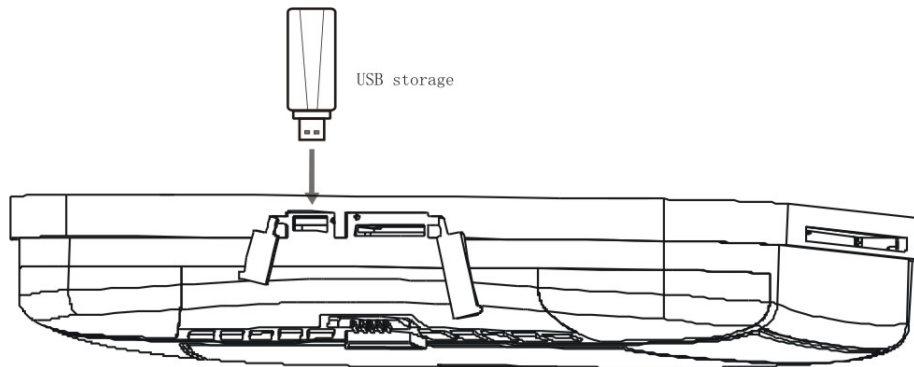
Using the USB storage and memory card

1. Following the arrow 1 to open the rubber cover which fixing in the unit when you want to use the USB storage or the memory card.
2. Following the arrow 2 to put the rubber cover back when you do not want to use the USB storage or memory card.



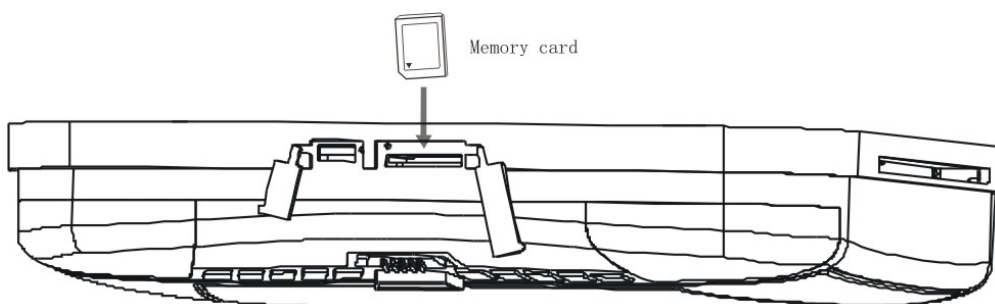
Connecting to the USB storage

1. Inserting the USB storage into the USB socket of the main unit.
2. When the unit sets in DVD mode, pressing SRC on the remote control for more than one second to change the mode from DVD to USB, then the main unit will read the contents of USB storage automatically.



Connecting to the memory card (SD/MMC/MS)

1. Inserting the memory card into the memory socket of the main unit.
2. When the unit sets in DVD mode, pressing SRC on the remote control for more than one second to change the mode from DVD to memory card, then the main unit will read the contents of memory card automatically.



System setup

Changing the picture quality and setting the frequency of FM transmitter

Accessing the menu

To adjust the picture, use the menu button to select the features you would like to adjust. Adjustment selections are as follows.

1. Press and hold MENU on the remote control for more than one second.
The Operation Menu opens.



2. Press MENU repeatedly to select one of the following settings, then press the < and > button to change the value:

The features are:

Contrast: Adjust the contrast of the picture

Brightness: Adjust the brightness of the picture

Color: Adjust the color of the picture

Tint: Adjust the tint of the picture (it is only available in NTSC system)

Wide Screen: Selects display Mode: Wide (16:9)/ Normal (4:3)

Note: In Wide mode, normal images are stretched horizontally and are displayed over the entire screen. In Normal mode, normal images are not stretched, and displayed without distortion.

LAC Enable: Low angle compensation, if it is on, the picture looks like very smooth

FMT Freq: you can select the frequency for FM transmitter: 88.1, 88.3, 88.5, 88.7, 88.9, 89.1, 9.3, 89.5, 89.7 MHz and 89.9 MHz regarding to the frequency of your radio receiver or FM headphone,

RESET: Reset menu to default value

Using FM transmitter

To use the FM transmitter for audio:

1. Press and hold MENU on the remote control for more than one second. The Operation MENU opens.
2. Press MENU repeatedly to select FMT Freq, then press the < and > buttons to change the frequency.
3. Exit the menu.

Tune a nearby FM radio (such as your car stereo or FM radio headphones) to the frequency you set in Step 2. Audio from the player is received by the FM radio.

Using the OSD menu

Press **SETUP** on the remote control, the OSD menu opens.

Menu	Description
General setup page	TV DISPLAY: modifies the display if it doesn't match the width to height ratio the DVD uses. You can select from the following: <ul style="list-style-type: none"> • NORMAL/PS • NORMAL/LB • WIDE
	ANGLE MARK: Selects a different angle if the back of the DVD jacket contains a multiple angles icon. You can select ON or OFF.
	OSD LANG: Selects a language for DVD play menu. You can select from following: <ul style="list-style-type: none"> • ENGLISH • FRENCH • SPANISH • ITALIAN
	CAPTIONS: Selects the caption for DVD play. You can select ON or OFF.
	SCREEN SAVER: Protects the screen if it paused about 5 minutes. You can select ON or OFF.
	LOGO TYPE: Selects different start LOGO picture. You can select Default and LOGO Captured.
Speaker setup page	DOWNMIX: Applies to Dolby digital sound. You can select from following: <ul style="list-style-type: none"> • LT/RT • STEREO
	DUAL MONO: Selects the different channels of sound. You can select from following: <ul style="list-style-type: none"> • STEREO • L-MONO • R-MONO • MIX-MONO
	DYNAMIC: Selects the different rating level of dB. You can select from following: <ul style="list-style-type: none"> • FULL • 3/4 • 1/2 • 1/4 • OFF

Preference page	TV TYPE: Selects the TV system .You can select from following: • PAL • AUTO • NTSC
	AUDIO: Selects the audio track language. You can select from following: • ENGLISH • FRENCH • SPANISH • GERMAN • CHINESE • RUSSIAN • THAI
	SUBTITLE: Selects the language of the subtitles displayed on the screen. You can select from following: • ENGLISH • FRENCH • SPANISH • GERMAN • CHINESE • RUSSIAN • THAI • OFF
	DISC MENU: Selects the language of the current disc. You can select from following: • ENGLISH • FRENCH • SPANISH • GERMAN • CHINESE • RUSSIAN • THAI
	PARENTAL: Restricts the viewing of movies to children of appropriate age levels only. You can select 1 to 8. 1=KID SAF (safe for children) 2=G (general audience) 3=PG (parental guidance suggested) 4=PG 13 (some material unsuitable for children under 13) 5=PGR (some material unsuitable for children under 17) 6=R (some material unsuitable for children under 17) 7=NC 17 (not recommended viewing for children under 17) 8=ADULT (default setting. Only for adults due to graphic content.) After you select the parental setting, press ENTER, then enter the 4-digit password (default is 3308). Press ENTER again to confirm.
	PASSWORD: Lets you change the 4-digit password using the number keys on the remote control. The default password is 3308, but no longer works after you change the password.
DEFAULT: Resets all settings to the factory defaults.	

Note: After you input some pictures to the player as LOGO picture, select Captured in LOGO TYPE menu, then you can use SUBTITLE key on the remote control to change the start LOGO picture one by one. Select Default in LOGO TYPE menu to recover the default start LOGO picture.

Customizing DVD settings

To set the general setup page:

- 1 Press **SETUP** button on the remote control. The DVD setup menu opens.
- 2 Press < or > to select General setup page, then the list opens.
- 3 Press the ^ or v to select the desired setting item. The items include TV DISPLAY, ANGLE MARK, OSD LANG, CAPTIONS, SCREEN SAVER and LOGO TYPE.
- 4 Press **ENTER** to open the list, then press ^ or v to choose the setting values.
- 5 Press **ENTER** to confirm.
- 6 Press **SETUP** to exit the setup menu.

To set the speaker setup page:

- 1 Press **SETUP** button on the remote control. The DVD setup menu opens.
- 2 Press < or > to select speaker setup page, then the list opens.
- 3 Press ^ or v to select the desired setting item, The items include DOWNMIX, DUAL MONO and DYNAMIC.
- 4 Press **ENTER** to open the list, then press ^ or v to choose the setting values.
- 5 Press **ENTER** to confirm.
- 6 Press **SETUP** to exit the setup menu.

To set the preference page:

- 1 This setting is only available in stop mode or when no disc in the player.
- 2 Press **SETUP** button on the remote control. The DVD setup menu opens.
- 3 Press < or > to select preference page, then the list opens.
- 4 Press ^ or v to select the desired setting item. The items include TV TYPE, AUDIO, SUBTITLE, DISC MENU, PARENTAL, PASSWORD and DEFAULT.
- 5 Press **ENTER** to open the list, then press ^ or v to choose the setting values.
- 6 Press **ENTER** to confirm.
- 7 Press **SETUP** to exit the setup menu.

Troubleshooting

If operation freezes, the screen goes black or the unit should otherwise not function properly, try turning the unit on and off. If the unit does not respond, press the reset switch on the Front Panel.

Problem	Cause	Solution
Player does not play disc	Disc inserted incorrectly	Reinsert the disc with the label side up (facing the ceiling).
	Disc format is not supported	Check the disc format.
	Disc is dirty or scratched	Clean or replace the disc.
The player suddenly stopped working or the screen went black	Player error	Try turning the player off and on. If the player still doesn't respond, press the reset button.
Player doesn't turn on	The car ignition (or ACC/Accessory) is off	Insert the key into the ignition and turn it to ACC/Accessory.
	Condensation in the player	Wait for about one hour or until condensation evaporates.
Player operates erratically	Battery needs replacing	Replace the battery.
	Dirty IR window on the Player or remote control	Clean the player's and the remote control's IR windows.
	Loose connections	Check and tighten all connections.
Picture Skips Occasions	Disc is dirty or scratched	Clean or replace the disc .
Blur picture on the screen.	Interfered by short-distanced strong interference. (E.g. high voltage wire, transformation station or aircraft etc...)	Move the vehicle away from the interference.

Problem	Cause	Solution
The picture on the screen is dark.	<ol style="list-style-type: none"> 1. The equipment locates at a low temperature area. 2. Brightness is set too low. 	<ol style="list-style-type: none"> 1. This is the characteristics of LCD display in low temperature, it will restore to normal brightness after starting the display for few minutes. 2. Adjust the brightness setting.
No sound can be heard from the IR wireless headphones.	<ol style="list-style-type: none"> 1. Headphones are not turn on. 2. The battery in the headphone is low. 3. There is object blocking the transmitting module or beyond the effective receiving area. 	<ol style="list-style-type: none"> 1. Turn on the headphones. 2. Replace or recharge the batteries. 3. Remove the blocking object or move back to the receiving area.

Specifications

Design and specifications are subject to change without notice.

Power Source	Vehicle battery (DC +10V ~ +16V)
Operating Voltage	DC +14V
Mechanism	Manual Open / Close
Display Angle	Vertical Adjustable: Up/Down > 150°
Pixel	800RGB(W)x480(H)
Viewing angle(up/down/left/right)	45/55/65/65
Operating current	<2000mA(Typical $V_{DD}=14V$)
Dome Light	<2W
Operation Temperature	-5°C to +50°C
Storage Temperature	-20°C to +70°C

Maintaining

Handling discs

- To keep a disc clean, do not touch the play side (non-label side) of the disc.
- Do not attach paper or tape to the disc.



- Keep the disc away from direct sunlight or heat source.
- Store the disc in a disc case after playback.

Cleaning discs

- Before playback, wipe the disc outwards from the center with clean cloth.



LCD Panel Maintenance

- Wipe off any dust gently with a soft, dry cloth.
- The surface is easily scratched; do not rub it with hard objects.
- Do not use any chemical solvent, cleaning agent or corrosive detergent to clean away dirt on the surface of the screen.